

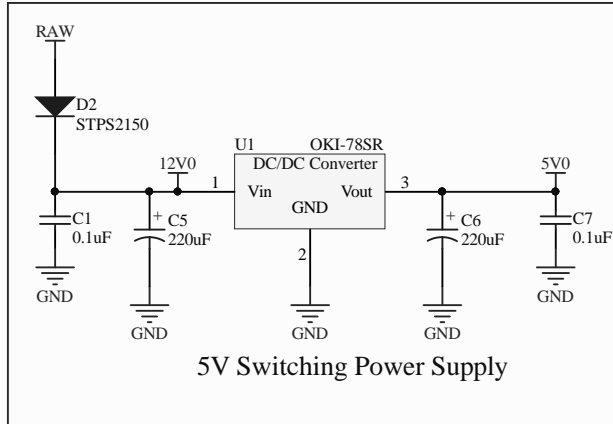
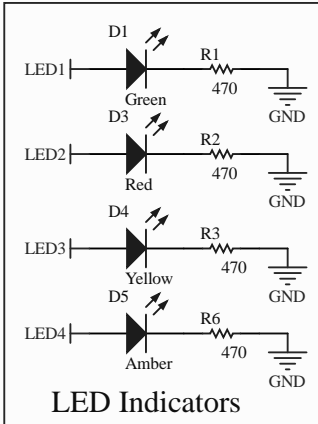
This project is released under an MIT Open Source License

Copyright (c) 2020 Jeremy Daily, Colorado State University

Permission is hereby granted, free of charge, to any person obtaining a copy of this hardware, software, and associated documentation files (the "Product"), to deal in the Product without restriction, including without limitation the rights to use, copy, modify, merge, publish, distribute, sublicense, and/or sell copies of the Product, and to permit persons to whom the Product is furnished to do so, subject to the following conditions:

The above copyright notice and this permission notice shall be included in all copies or substantial portions of the Product.

THE PRODUCT IS PROVIDED "AS IS", WITHOUT WARRANTY OF ANY KIND, EXPRESS OR IMPLIED, INCLUDING BUT NOT LIMITED TO THE WARRANTIES OF MERCHANTABILITY, FITNESS FOR A PARTICULAR PURPOSE AND NON-INFRINGEMENT. IN NO EVENT SHALL THE AUTHORS OR COPYRIGHT HOLDERS BE LIABLE FOR ANY CLAIM, DAMAGES OR OTHER LIABILITY, WHETHER IN AN ACTION OF CONTRACT, TORT OR OTHERWISE, ARISING FROM, OUT OF OR IN CONNECTION WITH THE PRODUCT OR THE USE OR OTHER DEALINGS IN THE PRODUCT.

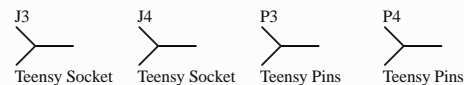


A

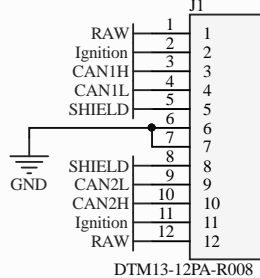
A

B

B



Vehicle Connection

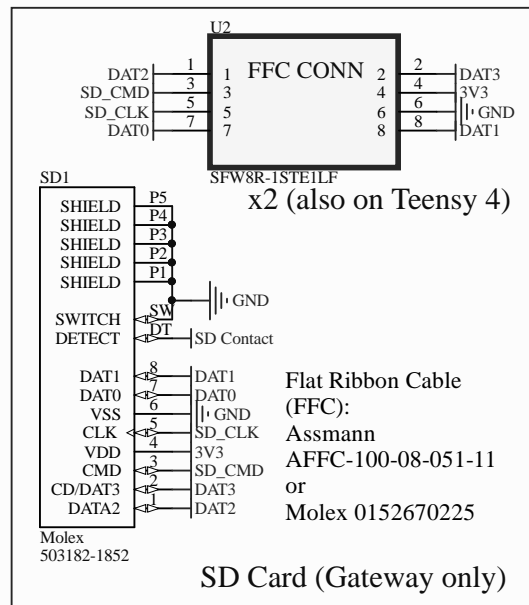


Mating Connector: DTM06-12SA

Connector Wedge: WM-12S

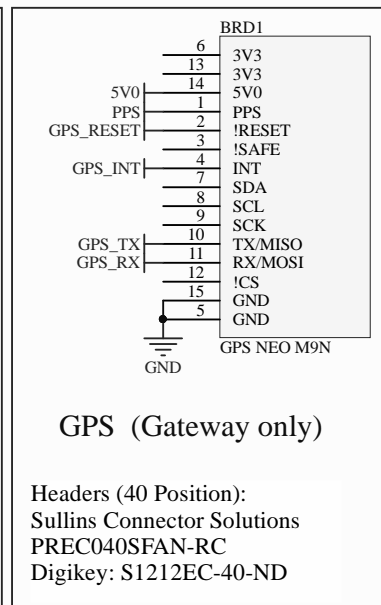
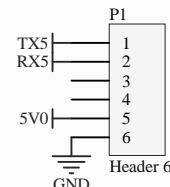
Mating Contact: 0462-201-20141

Enclosure:
EEC-325X4B-E016 (clear)
EEC-325X4B (black)

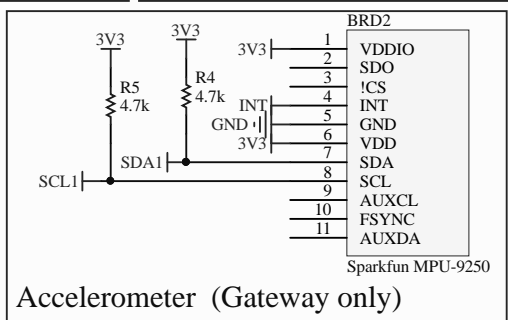


Digikey: 1568-1903-ND

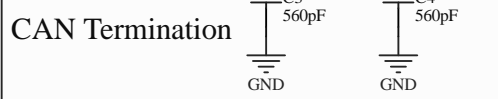
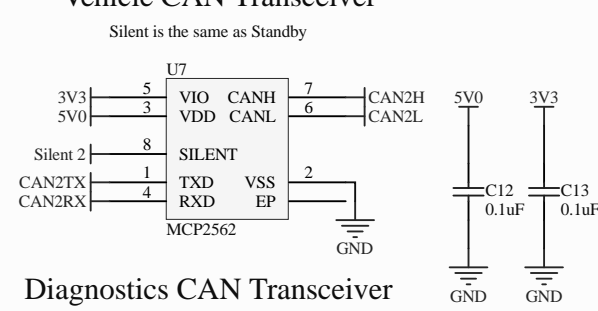
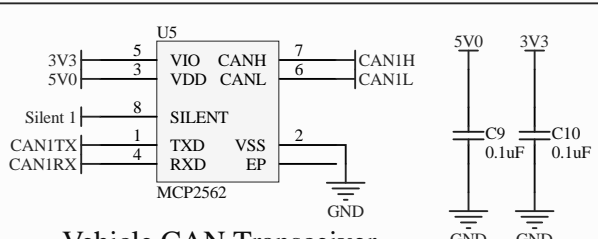
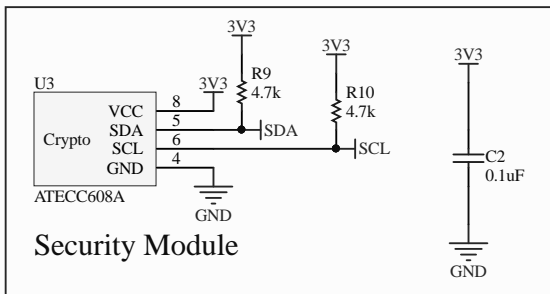
LCD-14072 SparkFun 16x2 SerLCD



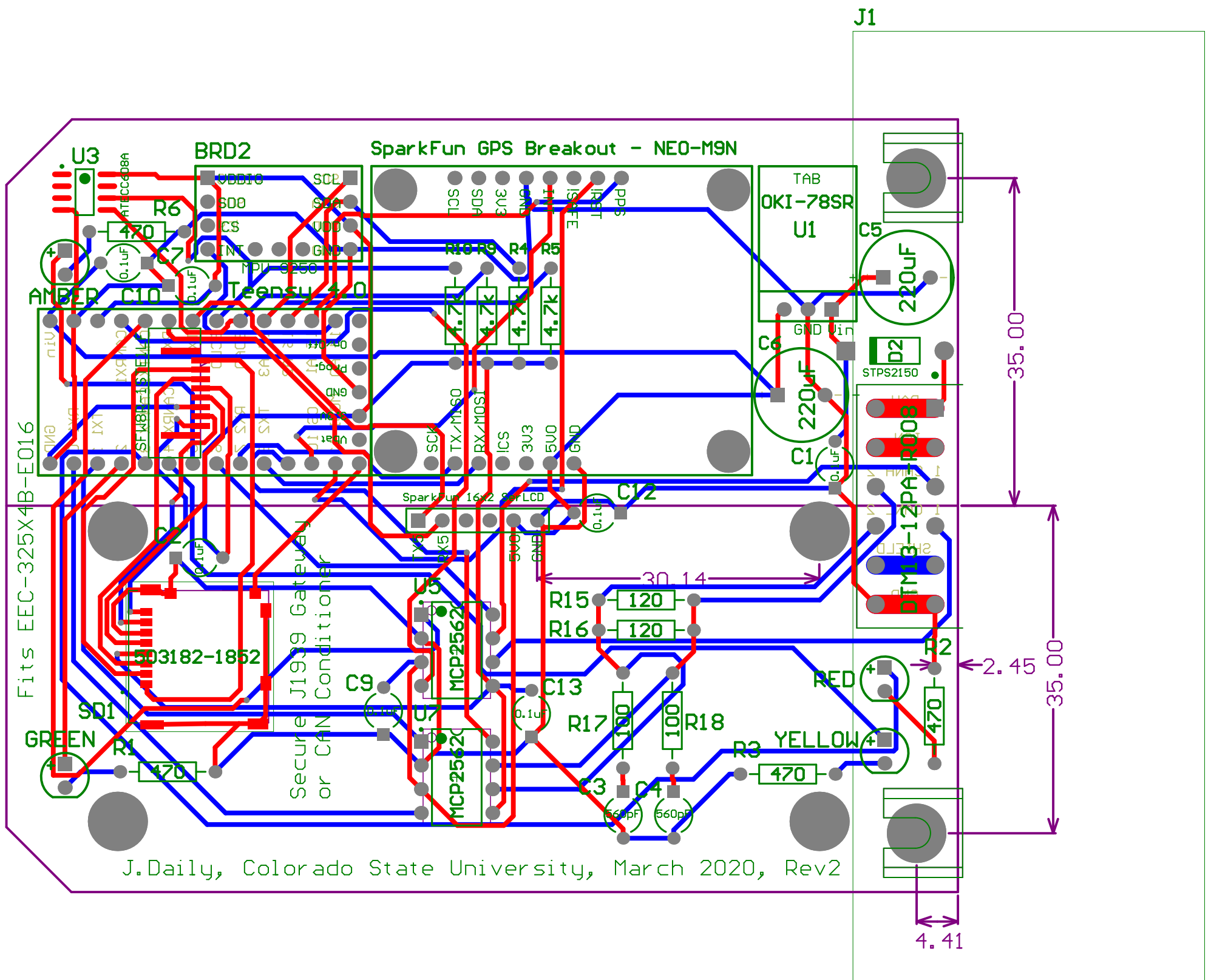
Headers (40 Position):
Sullins Connector Solutions
PREC040SFAN-RC
Digikey: S1212EC-40-ND



Sparkfun MPU-9250



CAN Termination



Part List

Bill of Materials for Project [Secure Gateway Prototype Rev 2.PrjPcb

Source Data From:

Secure Gateway Prototype Rev 2.PrjPcb

Project:

Secure Gateway Prototype Rev 2.PrjPcb

Variant:

None

Report Date: 3/11/2020

4:02 PM

Print Date: 11-Mar-20

4:02:34 PM

Designator	Comment	LibRef	Footprint	Description
BRD1	GPS NEO M9N	GPS NEO M9N	GPS NEO M9N	
BRD2	Sparkfun MPU-9250	MPU-9350 Breakout	MPU9250 Breakout	
C1, C2, C7, C8, C10, C12, C13	0.1uF	Cap	CAPR5-4X5	0.1uF ±10% 50V Ceramic Capacitor X7R Radial
C3, C4	560pF	Cap	CAPR5-4X5	560pF ±5% 100V Ceramic Capacitor COG, NPO Radial
C5, C6	220uF	Electrolytic Cap	Elec. Cap 5 x 10mm	220uF 50V Aluminum Electrolytic Capacitors Radial, Cap 175 mOhm @ 10kHz 5000 Hrs Green 569nm LED Indication - Discrete 2-TV Radial
D1	Green	LED - SMD	5mm Rad LED	Green 569nm LED Indication - Discrete 2-V Radial
D2	STPS2150	Diode 1N4003	DO-204AL	Diode Schottky 150V 2A Through Hole DO-15
D3	Red	LED - SMD	5mm Rad LED	Red 623nm LED Indication - Discrete 2V Radial
D4	Yellow	LED - SMD	5mm Rad LED	Yellow 589nm LED Indication - Discrete 2-1V Radial
D5	Amber	LED - SMD	5mm Rad LED	Amber 589nm LED Indication - Discrete 2-1V Radial
J1	DTM13-12PA-R008	DTM13-12PA-R008	TE_DTM13-12PA-R008	DTM Series, 4.19mm Pitch, 12 Way, 2 Row Pin Headers, PCB Headers, Surface Termination
J3, J4	Teensy Socket	Socket		14 Position Header Connector Through Hole
P1	Header 6	Header 6	HDR1X6	Header, 6-Pin
P3, P4	Teensy Pins	Socket		Connector Header Through Hole 14 position 0.100" (2.54mm)
R1, R2, R3, R6	470	Chip Resistor	AXIAL-0.4	330 Ohms ±1% 0.1W, 1/10W Chip Resistor 0603 (1608 Metric) Automotive AEC-Q200
R4, R5, R9, R10	4.7k	Chip Resistor	AXIAL-0.4	4.7 Kohms ±5% 0.25W, 1/4W Through Hole Resistor Axial Flame Retardant Coating
R15, R16	120	Chip Resistor	AXIAL-0.4	120 Ohms ±5% 0.25W, 1/4W Through Hole Resistor Axial Flame Retardant Coating
R17, R18	100	Chip Resistor	AXIAL-0.4	100 Ohms ±5% 0.25W, 1/4W Through Hole Resistor Axial Flame Retardant Coating
SD1	503182-1852	503182-1852	MOLEX_503182-1852	MICRO SD NORMAL ULTRALOWPRO8CKT
Teensy 1	Teensy 4.0	Teensy_4.0	Teensy 4.0	32 Bit Arduino-Compatible iMX Microcontroller
U1	OKI-78SR	7805	OKI-78SR	5V DC/DC Converter (7805 replacement)
U2	SFW8R-1STE1LF	SFW8R-1STE1LF	FCI_SFW8R-1STE1LF	8 Position FFC, FPC Connector Contacts, Bottom 0.039" (1.00mm) Surface Mount
U3	ATECC608A	ATECC508A	SOIC-8	Authentication Chip IC Networking and Authentication
U5, U7	MCP2562	MCP2558FD	DIP-8	Microchip CAN FD Transceiver with Silent Mode